

R Series *by Shermann®*

RS1

This product is about to be upgraded - January 2009

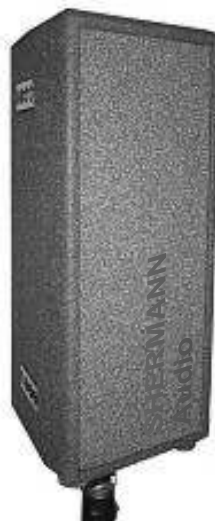
The **Shermann® RS1** is a super-compact three way model supplied in passive drive format. The smooth, responsive RS1 may be used within a wide variety of applications including Theatre, Conference, AV and Places of Worship. Used with Shermann LF units, the RS1 may be successfully used in FOH systems for music playback and live PA.



Flying or installing the RS1 is simplicity itself as the cabinet is equipped with vertical and horizontal suspension points.

Shermann GS-F2 and GS-W2 brackets may be used for flying in vertical mode; a dedicated horizontal flying bracket is also available for areas with restricted height.

The RS1 is equipped with a 35mm stand mount adaptor.



- Scandinavian birch plywood construction**
- 2 x 6.5" bass/mid drivers; cast aluminium chassis**
- Asymmetric LP filter points for bass/mid drivers**
- Individual circuit boards for bass/mid and HF drivers**
- 1" exit neodymium compression driver**
- Rotatable 90° x 60° horn**
- Flying points for vertical hang**
- Flying points for horizontal hang**
- Roping eye/safety tie point**
- 35mm stand mount**

Two specially designed 6.5" bass/mid drive units whose characteristics are ideally suited for efficient operation within compact enclosures are utilised in the RS1.

Whilst both drive units operate above 70Hz in their common ported enclosure the lower drive unit's low pass filter is set approximately 1 octave lower than the upper driver which is crossed to the 1" exit neodymium compression driver at 1.8KHz.

The 90° x 60° horn fitted to the RS1 may be easily rotated through 90° whenever the cabinet is used in horizontal mode as an under balcony fill, a front of stage fill or even as a low profile wedge monitor.

Installing or Touring the Sherman RS1

With a stand mount, vertical flying points and horizontal flying points fitted as standard the RS1 is fully equipped for the majority of touring and installation applications.

The RS1 is supplied as standard in our durable **Textured Protective Coating** however, **TRC** paint is available for installation.

Technical Specifications

System

Format	3 way Passive
Networks	PCN3
Nom' impedance	8 ohms
Hi-pass filter (-3dB point)	60Hz / 4th order
Rec' amp' power @ 8 ohm	150 - 250 watts rms
Continuous Programme	500 watts

Performance

Sensitivity @ 1w/1m	96 dB
O/P level at rated power	125 dB @ 1m
Frequency response	70 Hz - 19.5 KHz
Dispersion > 2 KHz **	90° x 60° (H x V)

Drive unit - LF

Drive unit size	165 mm / 6.5" x 2
Voice coil diameter	38 mm / 1.5"
Chassis	cast aluminium
Magnet	Ferrite
Mounting	5mm caphead bolts x 4

Drive unit - HF

Drive unit exit	25 mm / 1"
Voice coil diameter	44 mm / 1.73"
Magnet	Neodymium
Diaphragm	titanium
Horn mounting	5mm c/s socket bolts x 4

Dimensions

Height	534 mm (21-00")
Depth	232 mm (9-13")
Width	226 mm (8-87")
Width (rear)	134 mm (5-25")
External volume	22 lts (0-77 ft ³)
Weight	11.8 Kgs (26 lbs)

Crossover frequencies

High pass (full range mode)
60Hz 4th/8th order Linkwitz-Riley
or Butterworth filtering
High pass (with Shermann LF systems)
110Hz 4th order Linkwitz-Riley

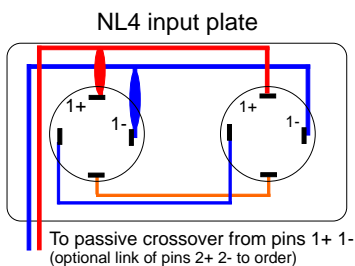
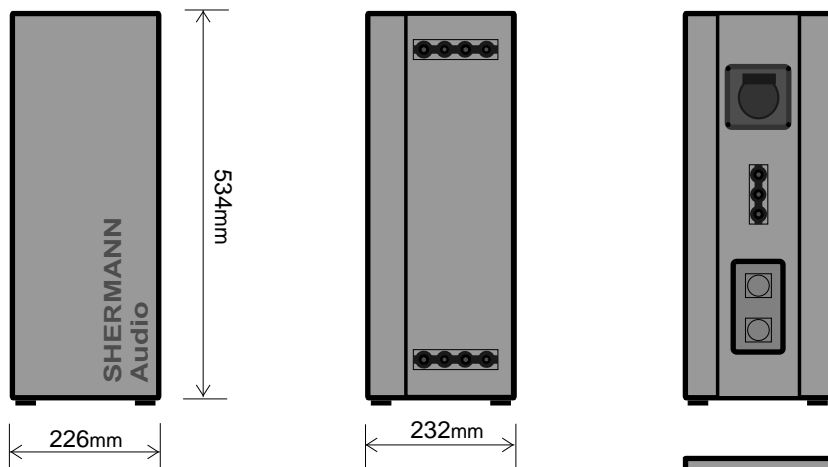
* Options must be requested at time of ordering.

** Horn unit may be rotated through 90°.

For optimum performance and protection we recommend the use of a digital loudspeaker management unit within systems incorporating the RS1.

Ashly Audio, Klark-Teknik, BSS, Alto, Void and XTA manufacture suitable models which may be loaded with preset configurations to operate with any Shermann system.

RS1



Speaker Cables

We recommend the use of 2.5mm² or 4mm² OFC cabling with all Shermann full range cabinets.

Wherever possible, cable lengths should not exceed 10 metres for 4 ohm loading (2 x 8ohm RS1 in parallel); cabinet link cables should not exceed 4 metres.

Please call for details on Shermann cables - contact info' shown below.

Please note

We would like to draw your attention to the likelihood of hearing damage from prolonged exposure to high sound pressure levels.

Care should be taken when using cabinets in close proximity to the audience, musicians or artists. For further information on the safe operation of any Shermann product please fax, call or email us - contact details are shown below.

Textured Protective Coating.

The coating currently applied to Shermann loudspeakers is an extremely hard wearing textured finish designed to protect the loudspeaker cabinet during normal use.

Damage may be caused through contact with sharp objects or if stacked against flight cases or any other item with metal fittings during transportation.

Whilst this style of coating is generally accepted as more durable than a paint finish it should be accepted that TPC is not armour plating and as such, may indeed be scratched or damaged.

The information within this data sheet is accurate and correct at the time of publication.

It is recommended that all technical information is verified with the company before inclusion in quotations or tender documents as The Company will not be held responsible for losses or difficulties arising from errors, changes or omissions.

Tel: +44 (0)845 644 2209 & 01686 622 997 / Email: info@shermann.com

Fax: +44 (0)1686 623 233 / Web: www.shermann.com

All data, images & product design: © Ken Hughes 2008.

Shermann is a registered trade mark used by S.P.A. Systems Ltd

Exterior fittings

Finish

TPC (textured protective coating) - black.

TRC finish for install normally in black but available in most RAL colours to order

Grille

Heavy duty mesh c/w acoustically transparent foam and engraved Shermann logo.

Skids

Bottom mounted easily replaced 12mm plywood skids

Flying Points (supplied)

4 points for horizontal or vertical flying with Shermann flying brackets.

Safety roping eye fitted as standard.

Construction

Cabinet shell

12mm multi-laminate Scandinavian birch plywood.

Baffle assembly

18mm multi-laminate Scandinavian birch plywood.

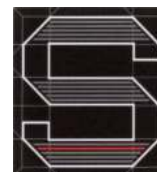
Connections

Speakon NL4

pin 1+ **hot** / pin 1- **cold**

Sockets are parallel linked on all pins
eg. 1+ to 1+ (see diagram)

The front foam used on this cabinet is not fire retardent.



Shermann

R Series